

# MAC878

# Microstepping Driver

- 50-80VAC (70-110VDC) power supply
- Output current: 1.8A – 7.8A
- 1-64 Microstep resolution
- Overheated protect, lock automatic half current, error connect protect
- Maximum pulse rate is 200KHz

**Switch Choice:** (“ON=1, OFF=0”)

**Microstepping choice:**

|       |   |   |     |   |   |      |   |    |      |    |    |    |    |    |    |    |
|-------|---|---|-----|---|---|------|---|----|------|----|----|----|----|----|----|----|
| SW5   | 0 | 1 | 0   | 1 | 0 | 1    | 0 | 1  | 0    | 1  | 0  | 1  | 0  | 1  | 0  | 1  |
| SW6   | 0 | 0 | 1   | 1 | 0 | 0    | 1 | 1  | 0    | 0  | 1  | 1  | 0  | 0  | 1  | 1  |
| SW7   | 0 | 0 | 0   | 0 | 1 | 1    | 1 | 1  | 0    | 0  | 0  | 0  | 1  | 1  | 1  | 1  |
| SW8   | 0 | 0 | 0   | 0 | 0 | 0    | 0 | 0  | 1    | 1  | 1  | 1  | 1  | 1  | 1  | 1  |
| Micro | 1 | 2 | 2.5 | 4 | 5 | 6.25 | 8 | 10 | 12.5 | 16 | 20 | 25 | 32 | 40 | 50 | 64 |

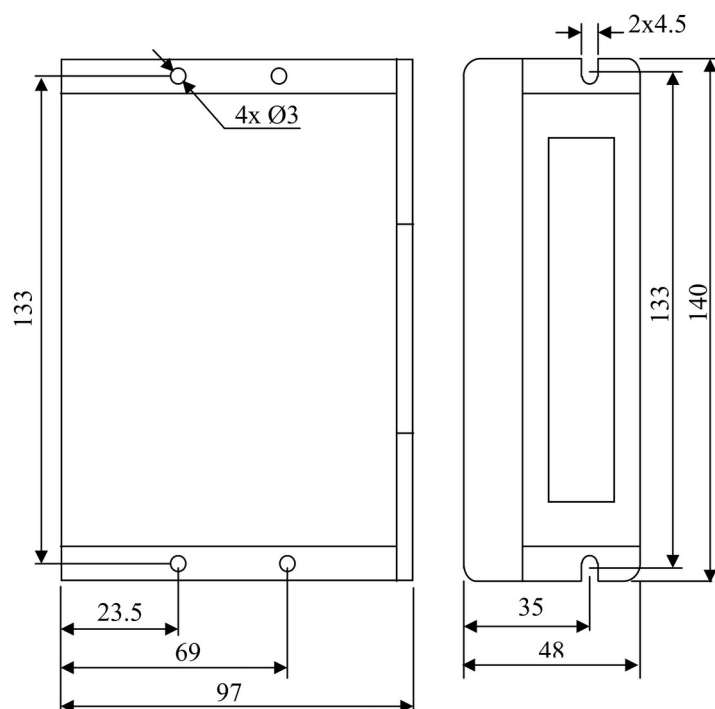
**Current choice :**

|             |      |      |      |      |      |      |      |      |
|-------------|------|------|------|------|------|------|------|------|
| SW1         | 0    | 1    | 0    | 1    | 0    | 1    | 0    | 1    |
| SW2         | 0    | 0    | 1    | 1    | 0    | 0    | 1    | 1    |
| SW3         | 0    | 0    | 0    | 0    | 1    | 1    | 1    | 1    |
| Current (A) | 1.80 | 2.50 | 3.50 | 4.30 | 5.20 | 6.00 | 7.00 | 7.80 |

**Full current or half current choice :**

SW4 : ON=Full current ; OFF=half current

**Mechanical Size (in unit of mm) :**



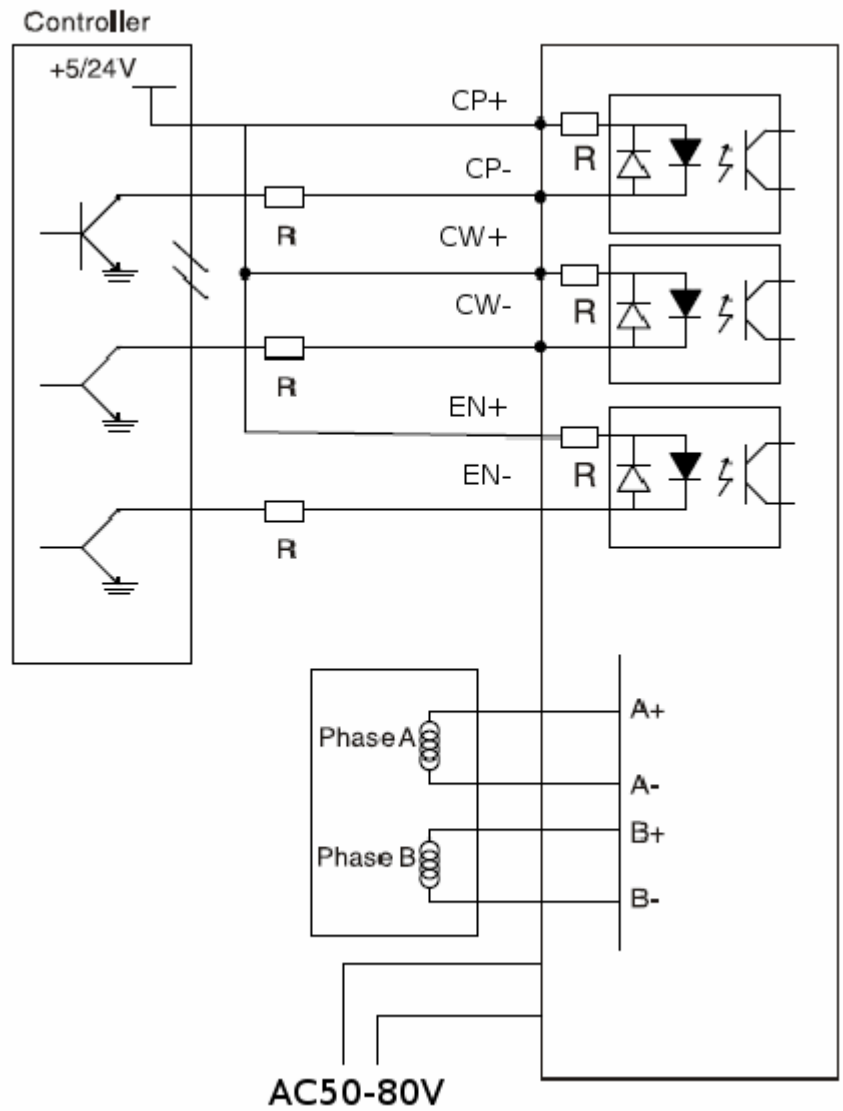
## Typical wiring

### Note:

R=0 when Vcc is 5V

R=1K (power >1/8W)  
when Vcc is 12V

R=2K (power >1/8W)  
when Vcc is 24V



dystrybucja:

**MARK**

ul. Plantowa 5  
05-830 Nadarzyn

[markcomp77@o2.pl](mailto:markcomp77@o2.pl)

<http://forum-cnc.pl>

tel +48-602-346-070