

MAC878

Microstepping Driver

- 50-80VAC (70-110VDC) power supply
- Output current: 1.8A – 7.8A
- 1-64 Microstep resolution
- Overheated protect, lock automatic half current, error connect protect
- Maximum pulse rate is 200KHz

Switch Choice: (“ON=1, OFF=0”)

Microstepping choice:

SW5	0	1	0	1	0	1	0	1	0	1	0	1	0	1	0	1
SW6	0	0	1	1	0	0	1	1	0	0	1	1	0	0	1	1
SW7	0	0	0	0	1	1	1	1	0	0	0	0	1	1	1	1
SW8	0	0	0	0	0	0	0	0	1	1	1	1	1	1	1	1
Micro	1	2	2.5	4	5	6.25	8	10	12.5	16	20	25	32	40	50	64

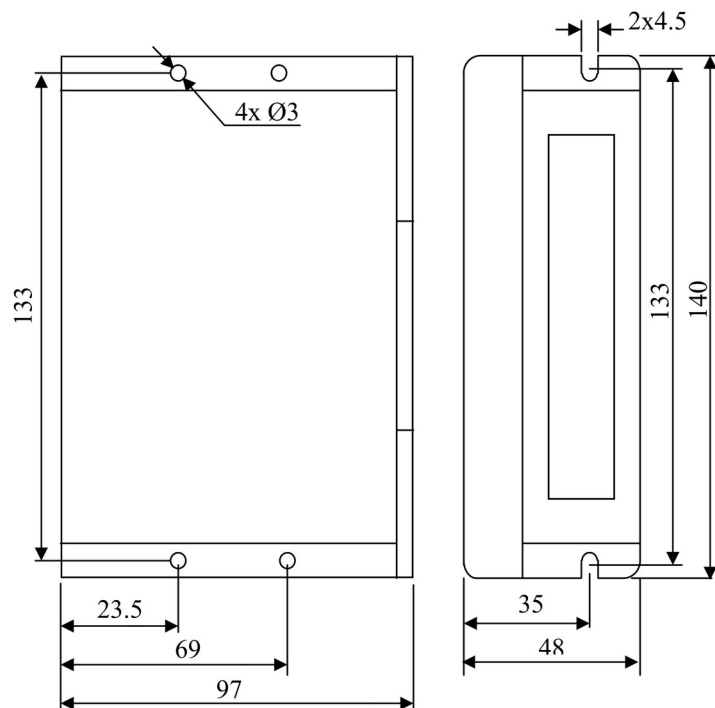
Current choice :

SW1	0	1	0	1	0	1	0	1
SW2	0	0	1	1	0	0	1	1
SW3	0	0	0	0	1	1	1	1
Current (A)	1.80	2.50	3.50	4.30	5.20	6.00	7.00	7.80

Full current or half current choice :

SW4 : ON=Full current ; OFF=half current

Mechanical Size (in unit of mm) :



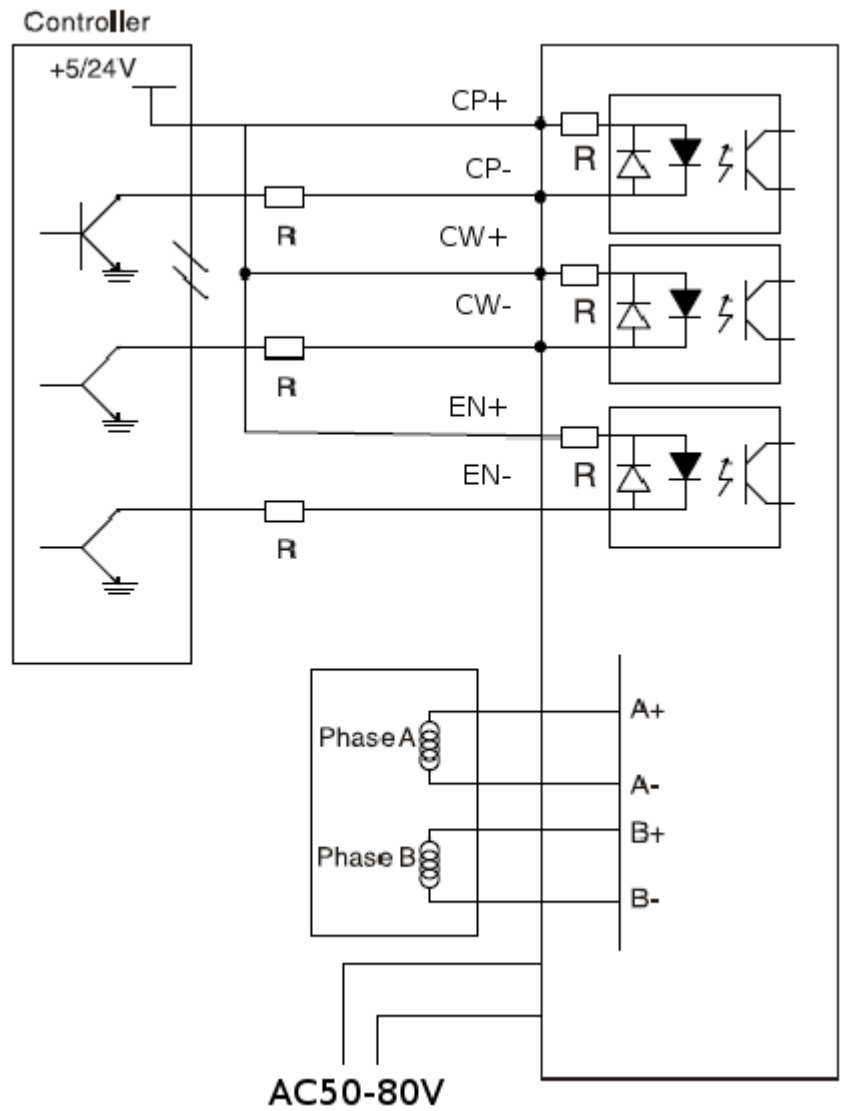
Typical wiring

Note:

R=0 when Vcc is 5V

R=1K (power >1/8W)
when Vcc is 12V

R=2K (power >1/8W)
when Vcc is 24V



dystrybucja:

MARK

**ul. Plantowa 5
05-830 Nadarzyn**

markcomp77@markcnc.pl

<http://markcnc.pl>

tel +48-602-346-070