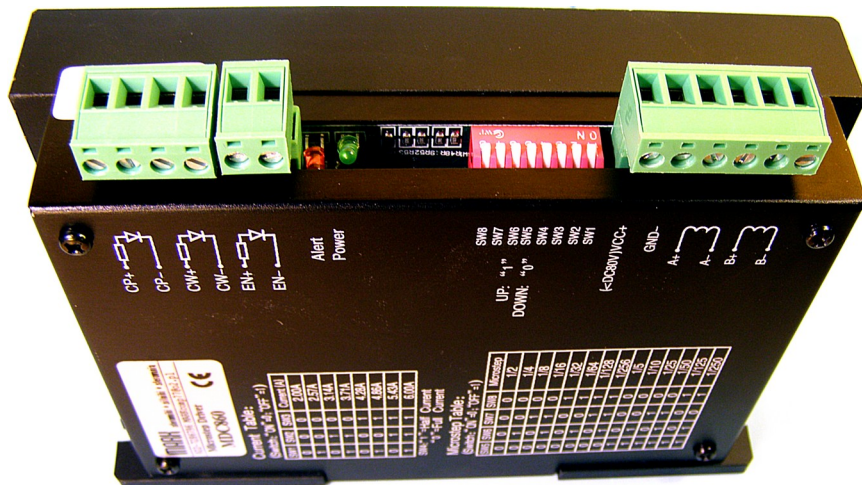


MDC860

Microstepping Driver

- 24-80V DC power supply
- Output current: 2 - 6A
- 2-256 Microstep resolution
- Overheated protect, lock automatic half current, error connect protect
- Maximum pulse rate is 200KHz



Switch Choice: (“ON=0, OFF=1”)

Microstepping choice:

SW5	0	0	0	0	0	0	0	0	1	1	1	1	1	1
SW6	0	1	0	1	0	1	0	1	0	1	0	1	0	1
SW7	0	0	1	1	0	0	1	1	0	0	1	1	0	0
SW8	0	0	0	0	1	1	1	1	0	0	0	0	1	1
Micro	1/2	1/4	1/8	1/16	1/32	1/64	1/128	1/256	1/5	1/10	1/25	1/50	1/125	1/250

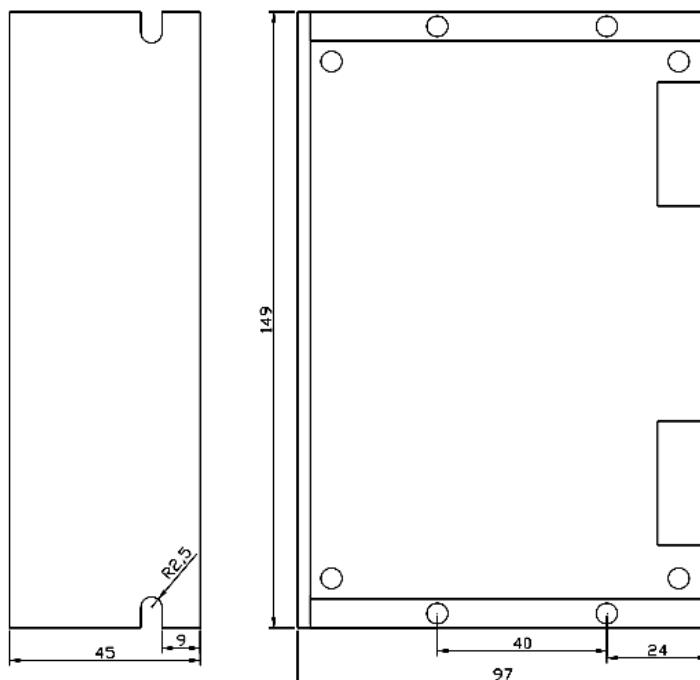
Current choice :

SW1	0	1	0	1	0	1	0	1	0	1
SW2	0	0	1	1	0	0	1	0	1	1
SW3	0	0	0	0	1	1	1	1	1	1
Current (A)	2.00	2.57	3.14	3.71	4.28	4.86	5.43	6.00		

Full current or half current choice :

SW4 : 0=Full current ; 1=half current

Mechanical Size (in unit of mm) :



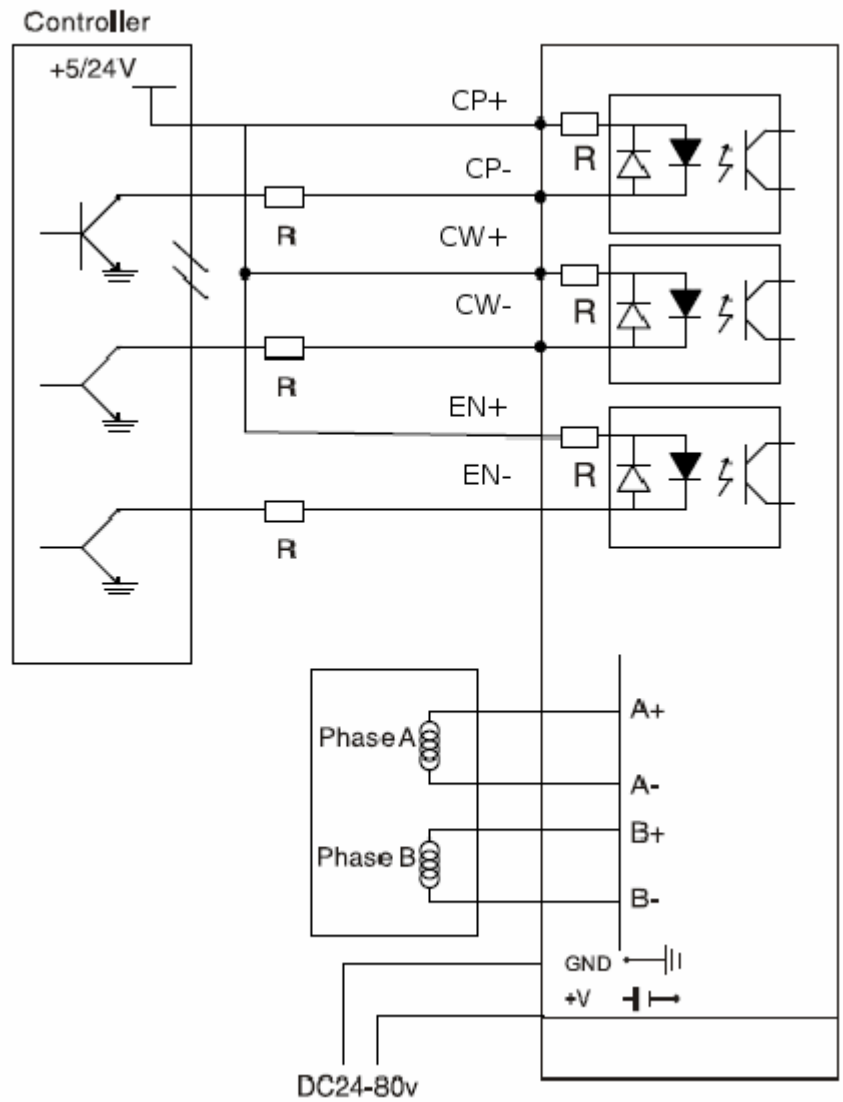
Typical wiring

Note:

R=0 when Vcc is 5V

R=1K (power >1/8W)
when Vcc is 12V

R=2K (power >1/8W)
when Vcc is 24V



dystrybucja:

MARK

ul. Plantowa 5, P5
05-830 Nadarzyn

markcomp77@markcnc.pl
<http://markcnc.pl>

tel +48-602-346-070