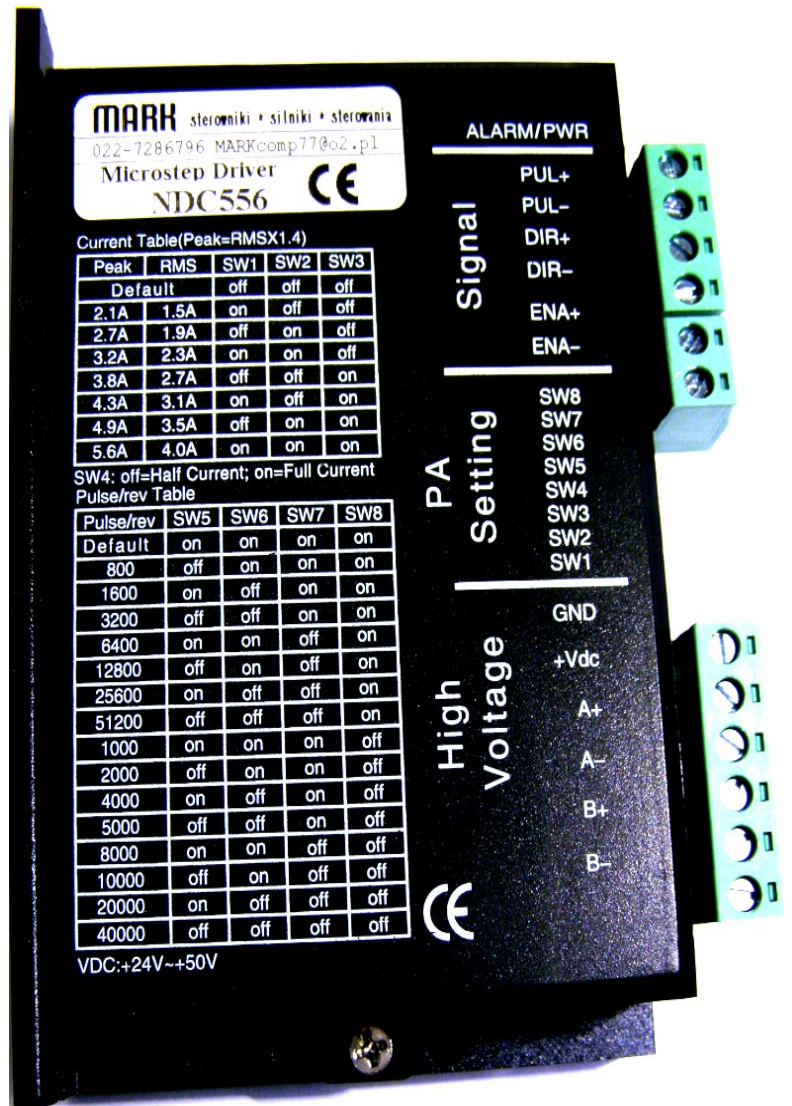


NDC556

digital μ step Driver

- 24-50VDC power supply
- Output current: 2.1 – 5.6A peek (1.5-4A rms)
- 4-256 Microstep resolution
- Maximum pulse rate is 200KHz
- Online adaptive PID technology (32-bit DSP processor)
- automatic idle-current reduction, self-test, overvoltage, under-voltage and over-current protection



Switch Choice: (“ON=0, OFF=1”)

Microstepping choice:

SW5	1	0	1	0	1	0	1	0	1	0	1	0	1	0	1
SW6	0	1	1	0	0	0	1	0	0	1	1	0	0	1	1
SW7	0	0	0	1	1	0	1	0	0	0	0	1	1	1	1
SW8	0	0	0	0	0	0	0	1	1	1	1	1	1	1	1
Micro	4	8	16	32	64	128	256	5	10	20	25	40	50	100	200

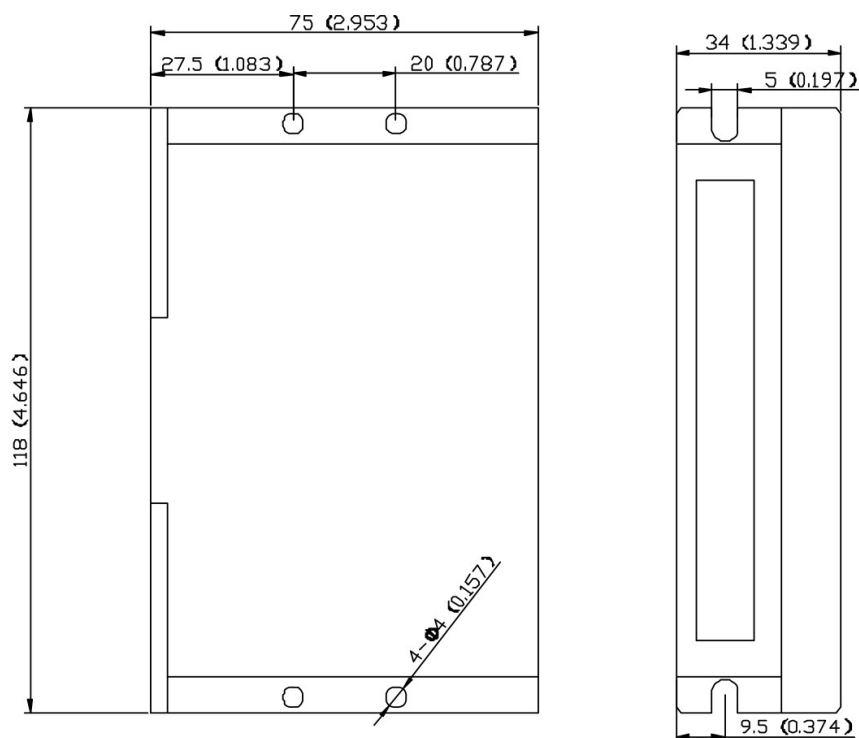
Current choice :

SW1	0	1	0	1	0	1	0	1
SW2	1	0	0	1	1	0	0	1
SW3	1	1	1	0	0	0	0	1
Peek Current [A]	2.10	2.7	3.2	3.8	4.3	4.9	5.6	default
RMS [A]	1.50	1.9	2.3	2.7	3.1	3.5	4.0	

Signal Mode:

D4: off =Half Current (reduction); on=Full Current

Mechanical Size (in unit of mm) :



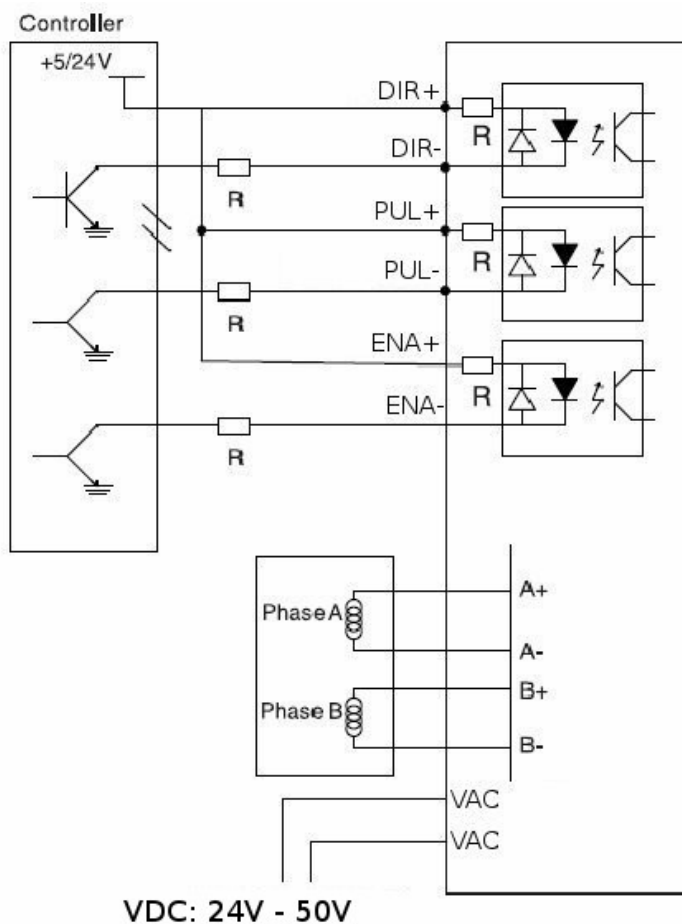
Typical wiring

Note:

R=0 when Vcc is 5V

R=680 (power >1/8W)
when Vcc is 12V

R=1.8k (power >1/8W)
when Vcc is 24V



dystrybucja:

MARK

ul. Kościuszki 52
05-800 Pruszków

markcomp77@markcnc.pl

<https://markcnc.pl>

tel/fax +48-22-728-67-96; +48-602-346-070