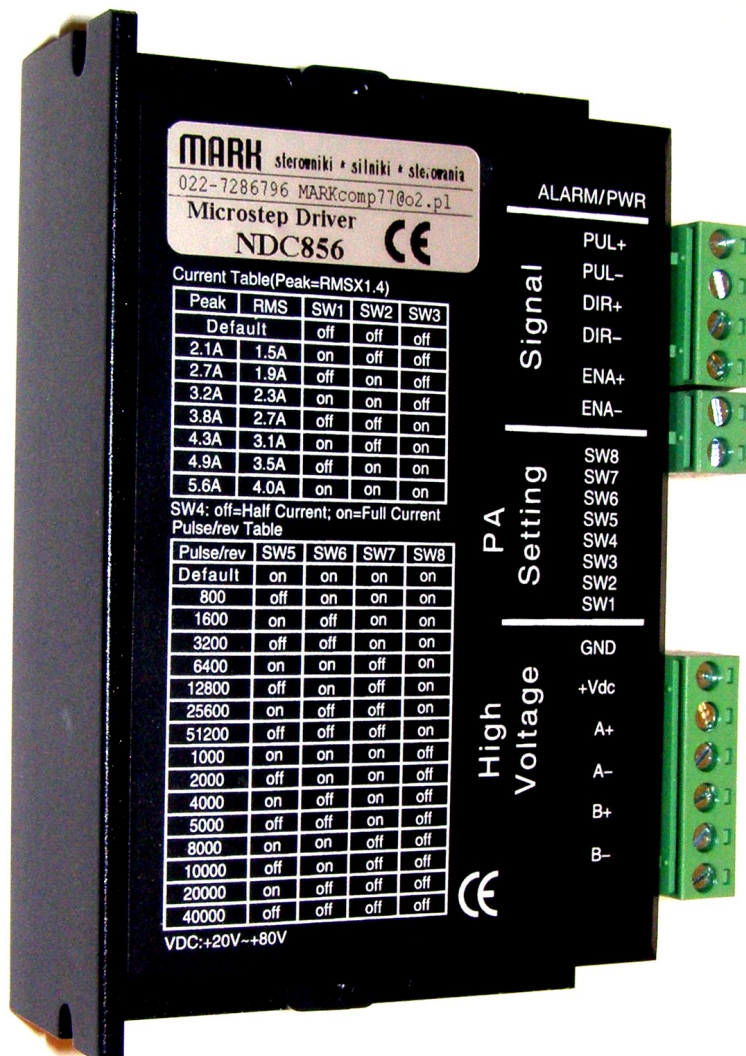


NDC856

DIGITAL μ STEP DRIVER

- 24-80VDC power supply
- Output current: 2.1 – 5.6A
- 4-256 Microstep resolution
- Maximum pulse rate is 200KHz
- Online adaptive PID technology
- 32-bit DSP processor (tms)
- Automatic idle-current reduction
- Protection:
 - self-test
 - overvoltage
 - under-voltage
 - over-current



Switch Choice: (“ON=0, OFF=1”)

Microstepping choice:

SW5	1	0	1	0	1	0	1	0	1	0	1	0	1	0	1
SW6	0	1	1	0	0	0	1	0	0	1	1	0	0	1	1
SW7	0	0	0	1	1	0	1	0	0	0	0	1	1	1	1
SW8	0	0	0	0	0	0	0	1	1	1	1	1	1	1	1
Micro	4	8	16	32	64	128	256	5	10	20	25	40	50	100	200

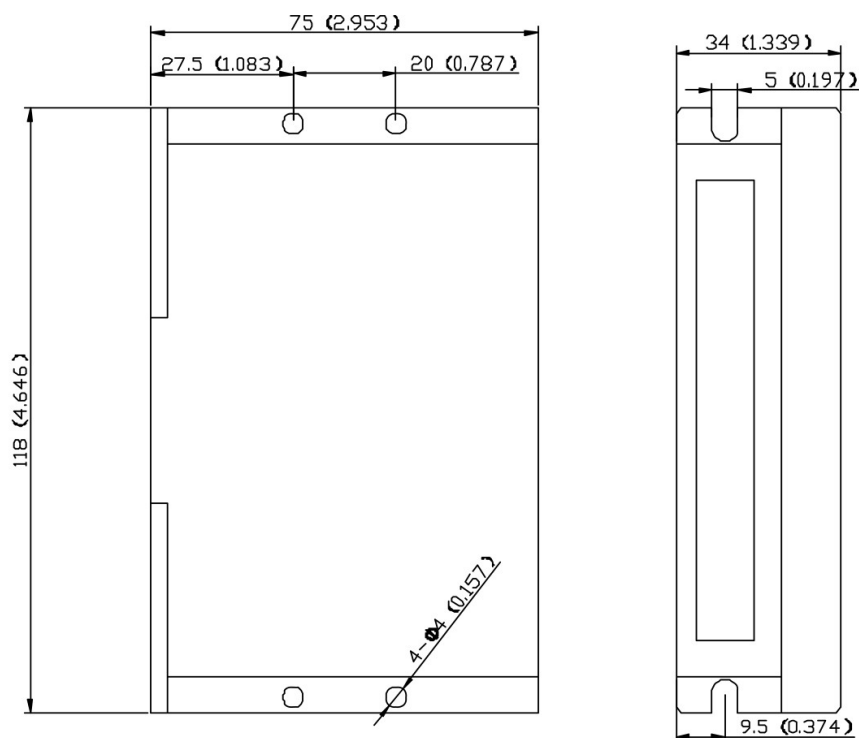
Current choice :

SW1	0	1	0	1	0	1	0	1
SW2	1	0	0	1	1	0	0	1
SW3	1	1	1	0	0	0	0	1
Peek								
Current [A]	2.10	2.7	3.2	3.8	4.3	4.9	5.6	default
RMS [A]	1.50	1.9	2.3	2.7	3.1	3.5	4.0	

Signal Mode:

D4: off =Half Current (reduction); on=Full Current

Mechanical Size (in unit of mm) :



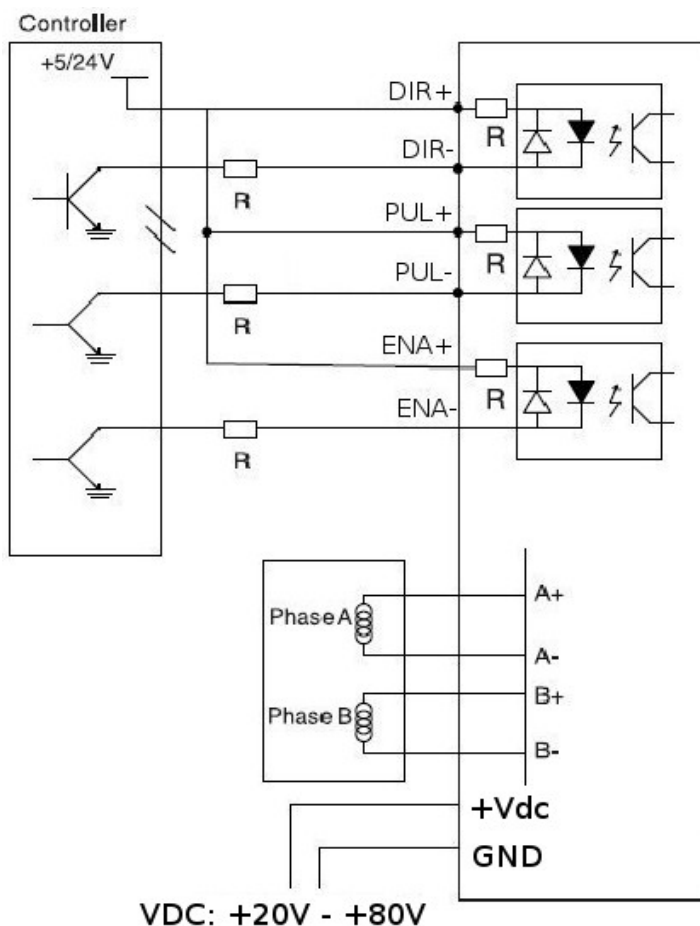
Typical wiring

Note:

R=0 when Vcc is 5V

R=680 (power >1/8W)
when Vcc is 12V

R=1.8k (power >1/8W)
when Vcc is 24V



dystrybucja:

MARK

ul. Kościuszki 52
05-800 Pruszków

markcomp77@markcnc.pl

<http://markcnc.pl>

tel/fax +48-22-728-67-96; +48-602-346-070